

Sensor-switched LED outdoor light

# L 820 SC

Anthracite  
EAN 4007841 065713  
Article number 065713



Up-/Downlight

LED

30 years (0 4,5h / day)

3000 K

3000K warm-white



intelligent high frequency sensor 160°



1 - 5 m



IP44



2 - 2000 lux



Light source not exchangeable



Control gear not exchangeable



5 sec - 60 min

## Function description

The most modern outdoor light in the world. Designer sensor-switched outdoor light L 820 SC with invisible high-frequency sensor, ideal for building entrances and fronts of buildings, 9,8 W STEINEL LED lighting system, 679 lm, 160° coverage angle, reach from 1 - 5 m, for stylish up and downlighting with house number panel, includes soft light start and optional manual override for 4 hours. Wirelessly interconnectable by Bluetooth and adjustable and controllable via free app.

## Technical specifications

Dimensions (L x W x H)	146 x 230 x 261 mm
With lamp	Yes, STEINEL LED system
Manufacturer's Warranty	3 years
Settings via	Connect Bluetooth Mesh, App
With remote control	No
Version	Anthracite
PU1, EAN	4007841065713
Application, place	Outdoors
Application, room	front door
Colour	Anthracite
includes sheet of self-adhesive numbers	Yes
Installation site	wall
Impact resistance	IK03
IP-rating	IP44
Protection class	II
Ambient temperature	from -20 up to 40 °C

Transmitter range	30 m
Transmitter power	< 1 mW
Luminous flux total product	679 lm
Measured luminous flux (360°)	679 lm
Total product efficiency	69 lm/W
Colour temperature	3000 K
Colour variation LED	SDCM3
Lamp	LED cannot be replaced
Service life LED L70B50 (25°)	> 60000 h
Drop in luminous flux in accordance with LM80	L70B10
Base	without
LED cooling system	Active and Passive Thermo Control
Soft light start	Yes
Continuous light	selectable
Functions	Motions sensor
Twilight setting	2 - 2000 lx

<https://www.steinel.de>

Subject to technical modifications

05.2025 Page 1 from 3

# L 820 SC

Anthracite  
 EAN 4007841 065713  
 Article number 065713



## Technical specifications

Housing material	Aluminium
Cover material	Plastic, opal
Mains power supply	220 – 240 V / 50 – 60 Hz
Output	9,8 W
Mounting height max.	2,50 m
Slave modeselectable	Yes
Sneak-by guard	No
Capability of masking out individual segments	No
Electronic scalability	Yes
Mechanical scalability	No
Reach, detail	Detection zone adjustable on 2 axes
Reach, radial	r = 5 m (35 m <sup>2</sup> )
Reach, tangential	r = 5 m (35 m <sup>2</sup> )
Photo-cell controller	Yes

Time setting	5 s – 60 Min.
Basic light level function	Yes
Basic light level function time	OFF, Brightness-controlled, 10 sec – 60 min
Main light adjustable	0 - 100 %
Interconnection	Yes
Type of interconnection	Master/master, Master/slave
Basic light level function in per cent	10 – 100 %
Basic light level function percentage, from	10 %
Basic light level function percentage, up to	100 %
Interconnection via	Bluetooth Mesh
Colour Rendering Index CRI	= 82
Optimum mounting height	2 m
Detection angle	160 °
Product category	Sensor-switched LED outdoor light

## Accessories

EAN 4007841 088620

Wireless pushbutton TapDuo C

Sensor-switched LED outdoor light

# L 820 SC

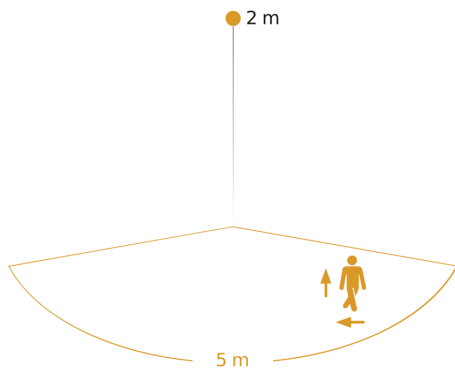
Anthracite

EAN 4007841 065713

Article number 065713

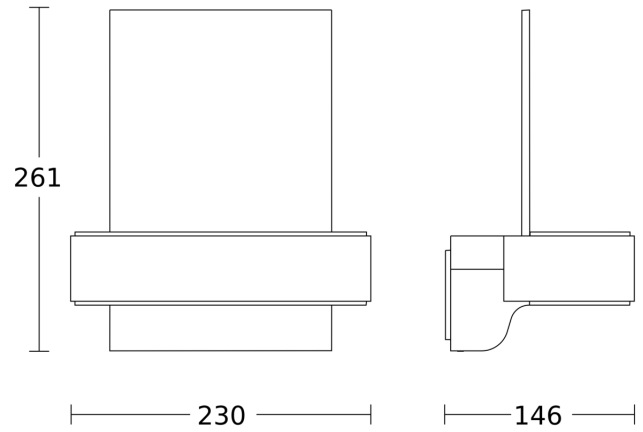


## Detection Zone



Possible mounting height: 1,80 m - 2,50 m  
Orange: radial and tangential

## Dimension Drawing



## Circuit diagram Bluetooth

